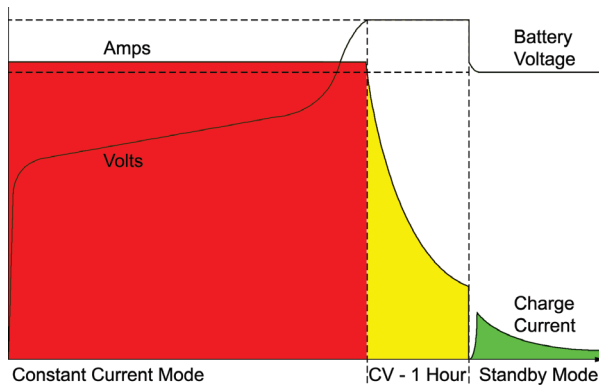
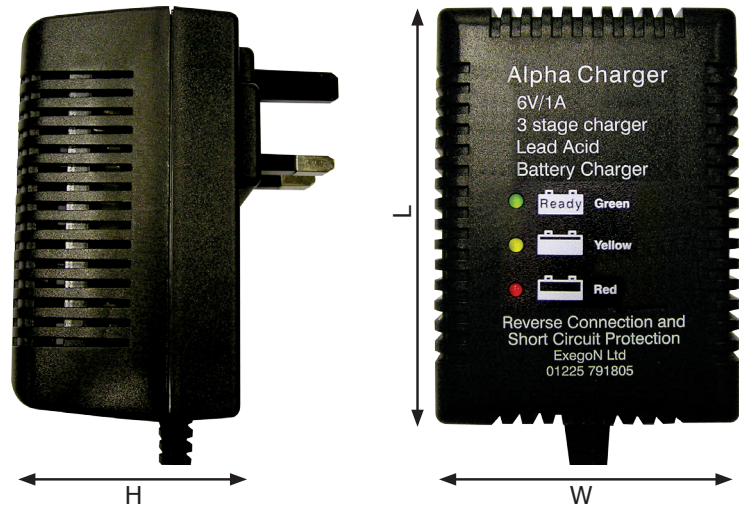


PRO-LITE ALPHA 61.0 PLUG TOP CHARGER

EXEGON Ltd Units 1-3 Poulson's Yard, Strattons Walk, Melksham, Wiltshire, SN12 6JL
Tel. 01225 791805 Fax. 01225 791629 Web. www.exegon.com E-mail. sales@exegon.com

FEATURES

- Switch mode
- Input voltage 220/240v 50Hz
- Output voltage 6v
- Output current 1A
- 3 stage charging
 - Constant current
 - Constant voltage
 - Float
- Timing control
- 3 LED status indication
- Reverse polarity protection
- Compact plastic housing
- Short circuit protection
- Light weight
- Cost effective



OPTIONS

- Output connector options
- Set for sealed lead acid
- European plug format

APPLICATIONS

- Torches
- Toys
- Medical equipment
- Tools

Model	Input Voltage	Output (Volts/Amps)	Dimensions (L x W x H mm)	Weight (Kg)	Minimum Battery Size
Alpha 61.0	220/240v 50Hz	6v 1A	86 x 65 x 54	0.21	4Ah

Chargers are CE marked to indicate compliance with the Electromagnetic Compatibility Directive (89/336/EEC) and amending directive (92/31/EEC) and also the Low Voltage Directive (73/23/EEC). Compliance is achieved by working to BS EN 55014 section 7.3.7.7 and BS EN 60-335-2-29.

